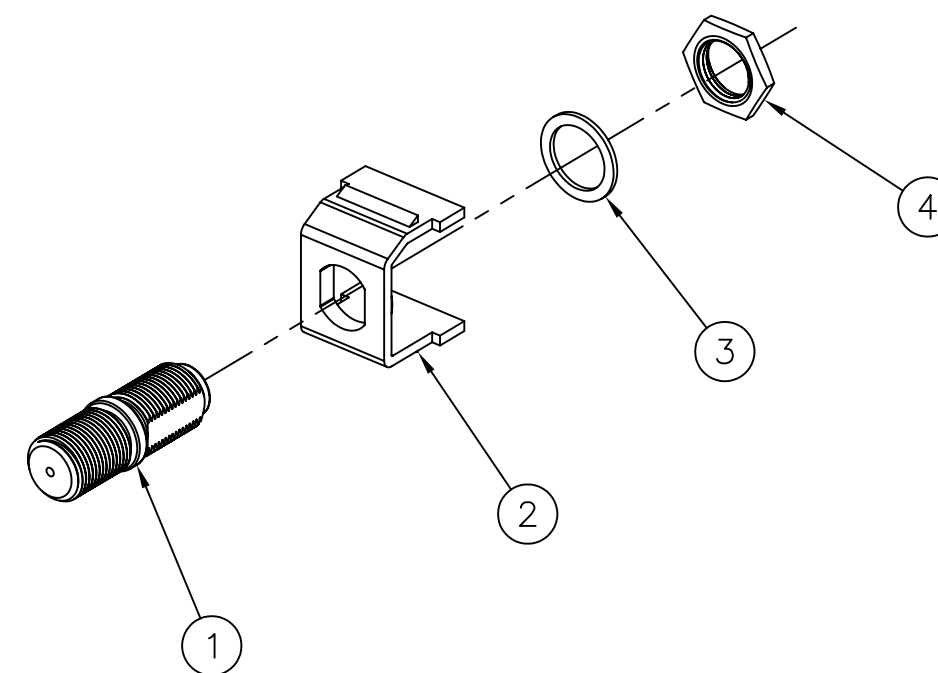
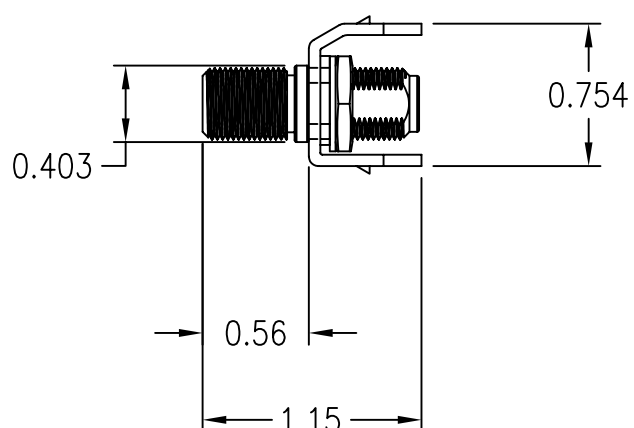
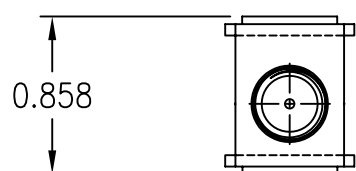
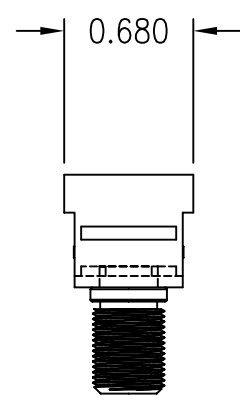


ITEM NO.	DESCRIPTION	QTY.
1	"F" COUPLER FEMALE TO FEMALE	1
2	SNAP FIT ADAPTER	1
3	WASHER,(INTERNAL STAR OR FLAT)	1
4	NUT	1

CATALOG NUMBER	COLOR	DESCRIPTION
SFFBX	BLACK	F-TYPE COUPLER BULKHEAD F/F
SFFEX	ELECTRIC IVORY	F-TYPE COUPLER BULKHEAD F/F
SFFGX	GRAY	F-TYPE COUPLER BULKHEAD F/F
SFFX	OFFICE WHITE	F-TYPE COUPLER BULKHEAD F/F
SFFWX	WHITE	F-TYPE COUPLER BULKHEAD F/F
SFFTIX	TELCO IVORY	F-TYPE COUPLER BULKHEAD F/F
SFFALX	ALMOND	F-TYPE COUPLER BULKHEAD F/F
SFFLAX	LIGHT ALMOND	F-TYPE COUPLER BULKHEAD F/F




NOTES
UNLESS OTHERWISE SPECIFIED:

- SOLD IN CARTON INCREMENTS ONLY. CARTON CONTAINS 25 MODULES (INDIVIDUALLY BAGGED).
- COLOR REFERS TO THE SNAP FIT ADAPTER NOT THE F-TYPE COUPLER.
- SPECIFICATIONS SUBJECT TO CHANGE WITHOUT NOTICE.

D	5886	6/7/06	ADDED CATALOG NUMBER FOR LIGHT ALMOND	DPO	
C	5681	9/9/05	ADDED CATALOG NUMBER FOR ALMOND	CD	GK
B	5148	9/18/03	ADDED CAT #S TO TABULATION, DELETED DIMS	CG	GK
A	4287	06/30/01	INITIAL RELEASE	PSM	HKM
REV.	ECN	DATE	DESCRIPTION	CHG BY	APPD BY

Created on AUTOCAD	DIMENSIONING AND TOLERANCE PER ANSI Y14.5M-1982 UNLESS OTHERWISE SPECIFIED, DIMENSIONS ARE IN INCHES (MM). TOLERANCES .XX = ±.01 (.25) .XXX = ±.005 (.127) .XXXX = ±.0025 (.0635) ANGLE TOL ±1°	PROJECT REFERENCE:
		MATERIAL:
		DRAWN BY: P.S. MAGUIRE 05/30/01
		CHECKED BY: H. MCGREGOR 06/11/01
	APPROVED BY: G. KIERSTEAD 06/11/01	

 Hubbell Premise Wiring HUBBELL INCORPORATED (Delaware) 14 Lord's Hill Road, Stonington, Connecticut 06378		TITLE: SNAP FIT (SF) F-TYPE COUPLER, BULKHEAD F/F MODULE	
		SIZE C	DRAWING NO. C11058
SCALE: FULL		SHEET 1 OF 1	